



## DUKIN OUTDOOR

# HIDEOUT - TIDY ENVIRONMENT WITH NO VISIBLE WASTE CONTAINERS

Embellish the space around your house, business premises or tourist facilities and choose a unique solution, with which you make waste bins invisible.



### CONTROL

HideOUT prevents uncontrolled access to waste containers.



### SAFE CLOSING

Several sensors take care of safe and reliable closing.



### MORE SPACE

It is possible to walk on the HideOUT, so it also provides you with more space.



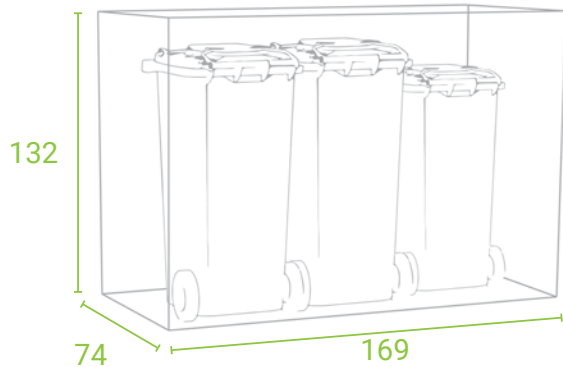
### MODERN SOLUTION

The submersible bin is a new trend for waste storage.

# WASTE CONTAINERS, INSTALLED UNDERGROUND

The HideOUT product provides a unique solution, which beautifies your surroundings and prevents uncontrolled access to the waste containers. The waste bins are installed underground, the opening of the containers can also be secured and thus prevent the unwanted depositing of waste.

## 1/ INTERNAL DIMENSION/WxDxH



### HIDEOUT

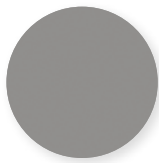
169 x 74 x 132

(Suitable for 3 x 120 L waste container or 2 x 240L and 1 x 120L waste container)

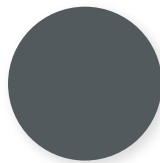
## 2/ COLOURS OF THE LID



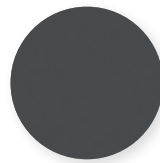
9006



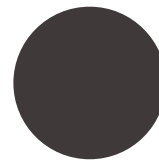
9007



7016



DB703



8019



YOUR CHOICE

## 3/ FUNCTION



## 4/ TECHNICAL SPECIFICATIONS

	Supply voltage / Power consumption	Internal dimension (W x D x H) [cm]	Capacity (of the waste bin)
HideOUT 230 V	230 V / 1500 W	169 x 74 x 132	3 x 120 L or 2 x 240 L and 1 x 120 L
HideOUT 380 V	380 V / 750 W	169 x 74 x 132	3 x 120 L or 2 x 240 L and 1 x 120 L